

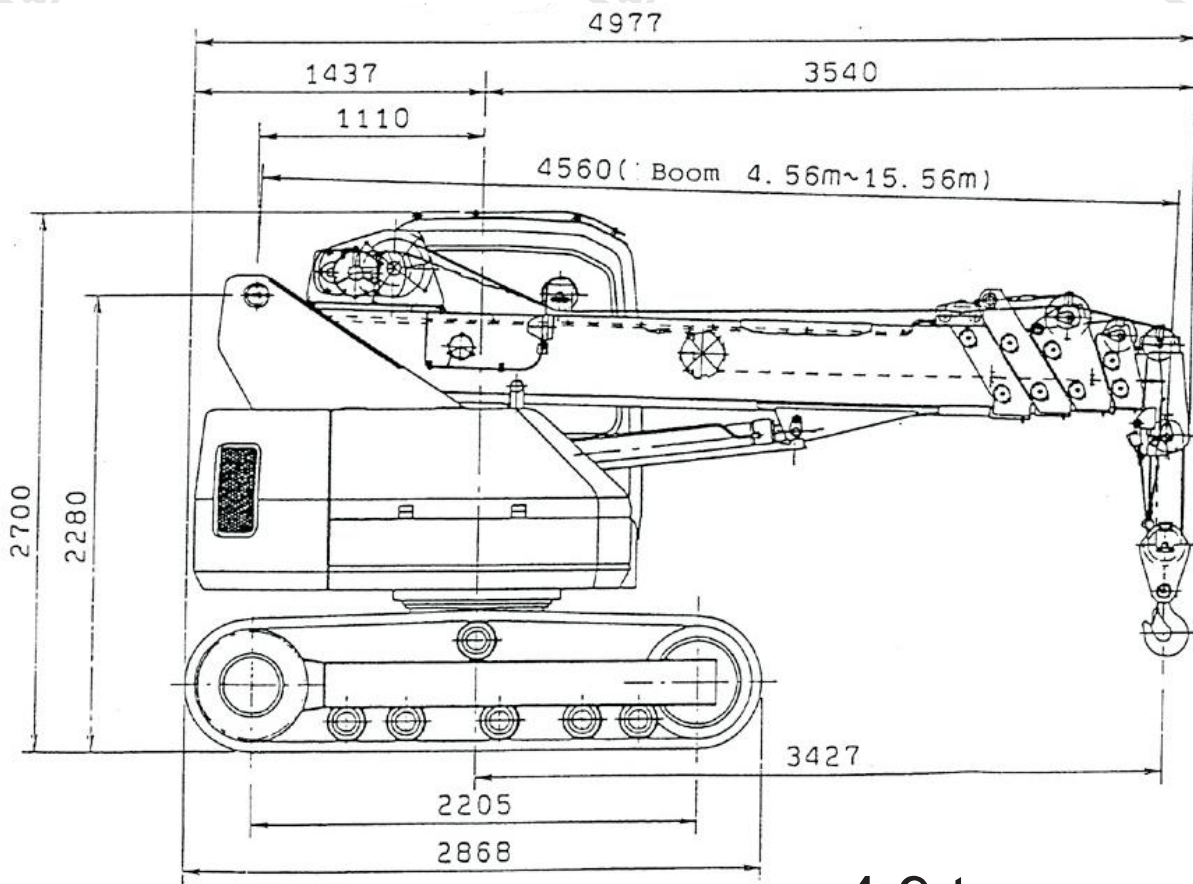


UNIVERSAL CRANES

Main Menu

PTY LTD

55 Paringa Road,
Murarrie, QLD 4172
+61 7 3907 5800
+61 7 3890 2976
dispatch@universalcranes.com
www.universalcranes.com

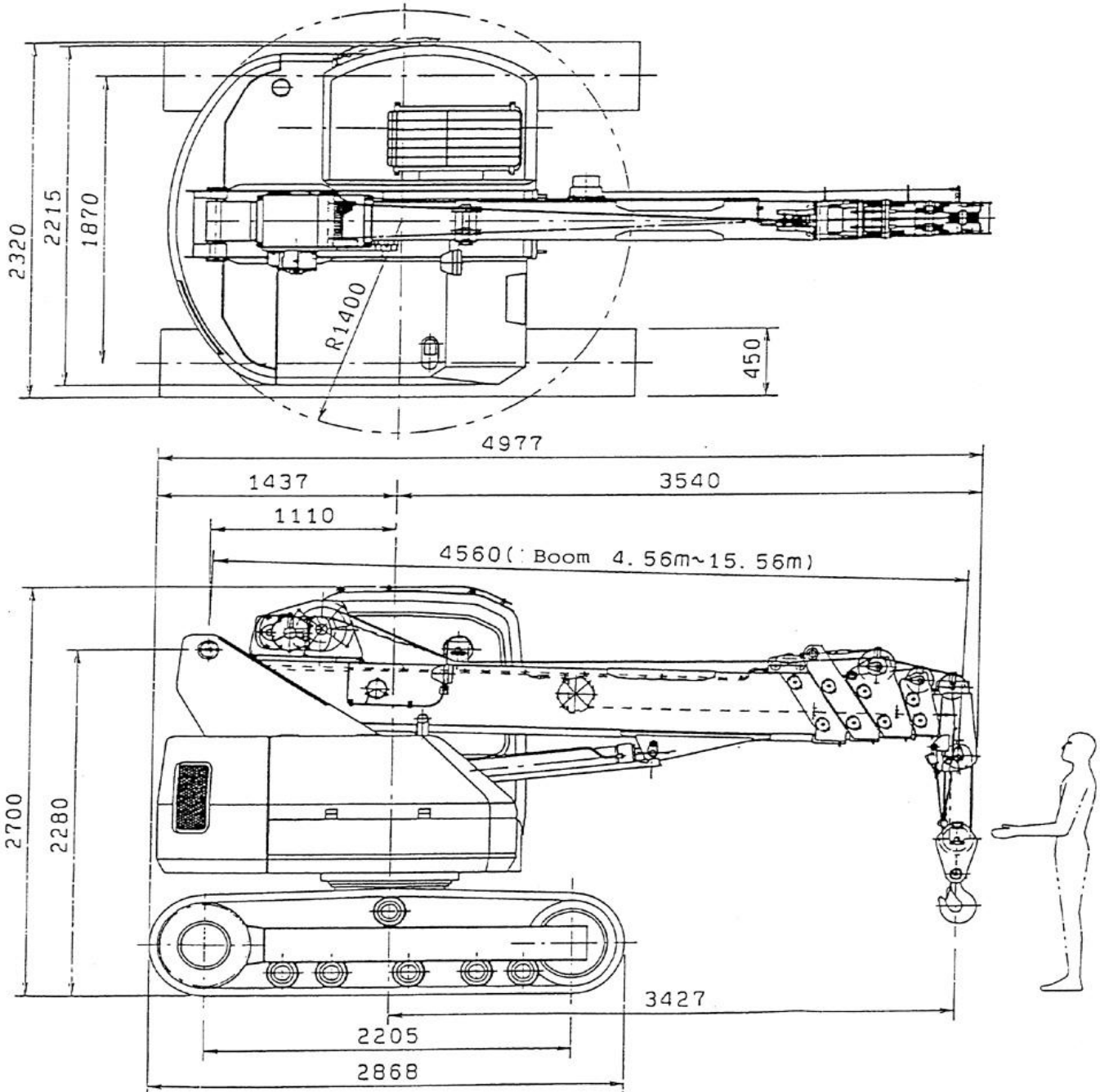


4.9 tonne

MAEDA CC-505

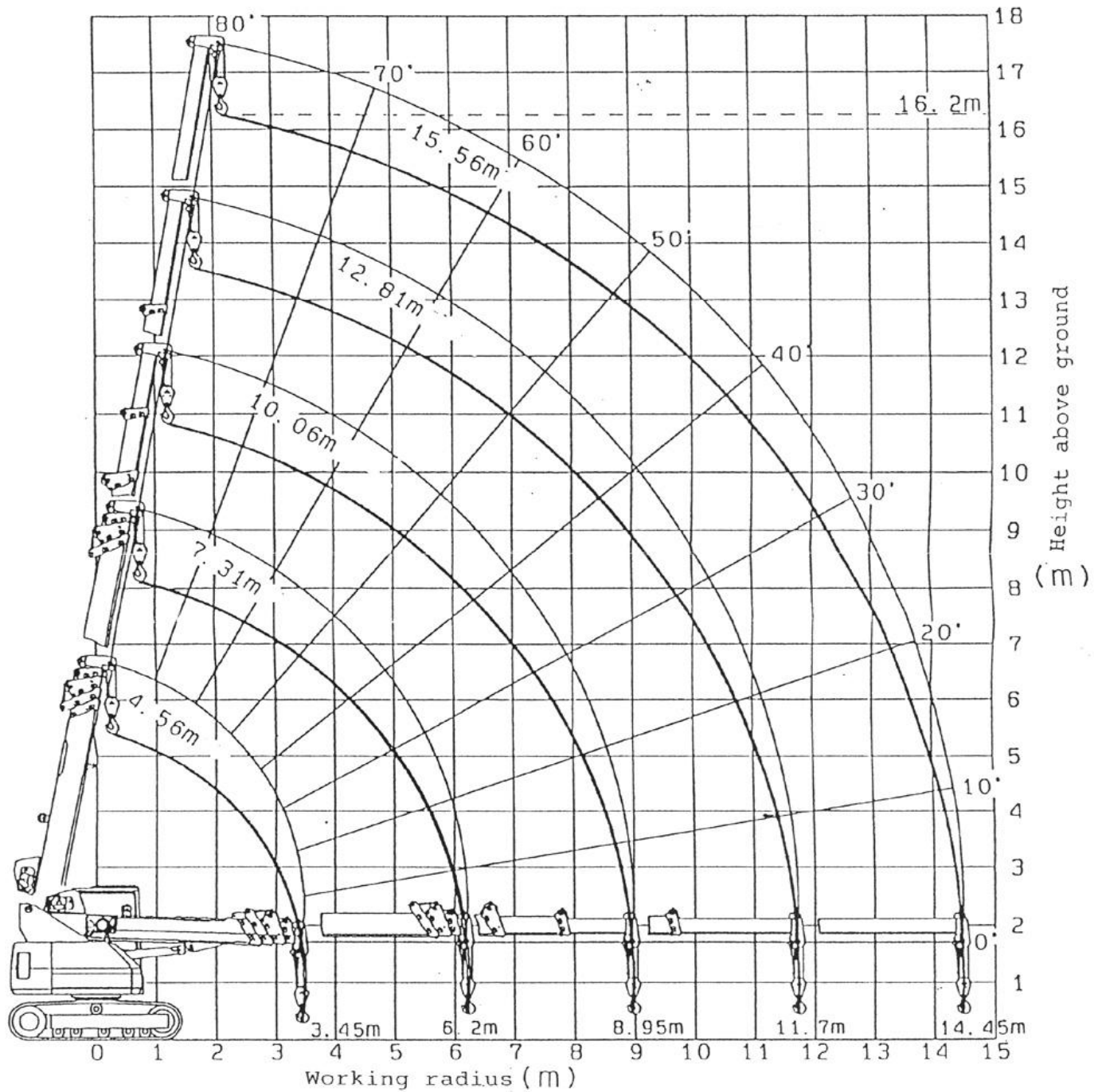
MAEDA CC-505 4.9T CRAWLER CRANE

RATED LIFTING CAPACITIES FOR MAIN BOOM



MAEDA CC-505 4.9T CRAWLER CRANE

RATED LIFTING CAPACITIES FOR MAIN BOOM



MAEDA CC-505 4.9T CRAWLER CRANE

RATED LIFTING CAPACITIES FOR MAIN BOOM

RATED LIFTING CAPACITIES FOR MAIN BOOM

WORKING RADIUS(M)	4.56m BOOM		7.31m BOOM		10.06m BOOM		12.81m BOOM		15.56m BOOM	
	STANDING	TRAVELLING	STANDING	TRAVELLING	STANDING	TRAVELLING	STANDING	TRAVELLING	STANDING	TRAVELLING
2.0	4900	2000	4900	2000	2600	1400	1900	^	-	^
2.1	4900	2000	4610	2000	2480	1360	1900	.	-	.
2.5	3720	2000	3670	2000	2100	1140	1900	.	1300	.
2.7	3310	1800	3310	1810	1950	1050	1900	.	1300	.
3.0	2840	1550	2870	1560	1750	940	1710	.	1300	.
3.15	2640	1440	2680	1450	1660	900	1620	.	1300	.
3.45	2320	1260	2360	1270	1510	810	1470	.	1220	.
3.5	-	-	2310	1240	1490	800	1450	.	1200	.
4.0	-	-	1900	1010	1280	690	1240	.	1080	.
4.5	-	-	1590	830	1120	610	1080	.	980	.
5.0	-	-	1340	690	980	540	950	.	880	.
5.5	-	-	1140	580	870	490	830	.	790	.
6.0	-	-	970	480	770	440	740	.	710	.
6.2	-	-	970	450	740	430	710	.	680	.
6.5	-	-	-	-	690	400	660	.	640	.
7.0	-	-	-	-	620	370	590	NOT USED	570	NOT USED
7.5	-	-	-	-	560	340	530	.	510	.
8.0	-	-	-	-	500	-	470	.	460	.
8.5	-	-	-	-	450	-	420	.	1400	.
8.95	-	-	-	-	420	-	380	.	360	.
9.0	-	-	-	-	-	-	340	.	360	.
9.5	-	-	-	-	-	-	310	.	310	.
10.0	-	-	-	-	-	-	270	.	270	.
10.5	-	-	-	-	-	-	260	.	230	.
11.0	-	-	-	-	-	-	260	.	190	.
11.5	-	-	-	-	-	-	260	.	160	.
11.7	-	-	-	-	-	-	-	.	150	.
12.0	-	-	-	-	-	-	-	.	150	.
12.5	-	-	-	-	-	-	-	.	150	.
13.0	-	-	-	-	-	-	-	.	150	.
13.5	-	-	-	-	-	-	-	.	150	.
14.0	-	-	-	-	-	-	-	.	150	.
14.45	-	-	-	-	-	-	-	v	150	v